

TECHNICAL DATA SHEET PHOENIX P30



PP



PVDF+CF



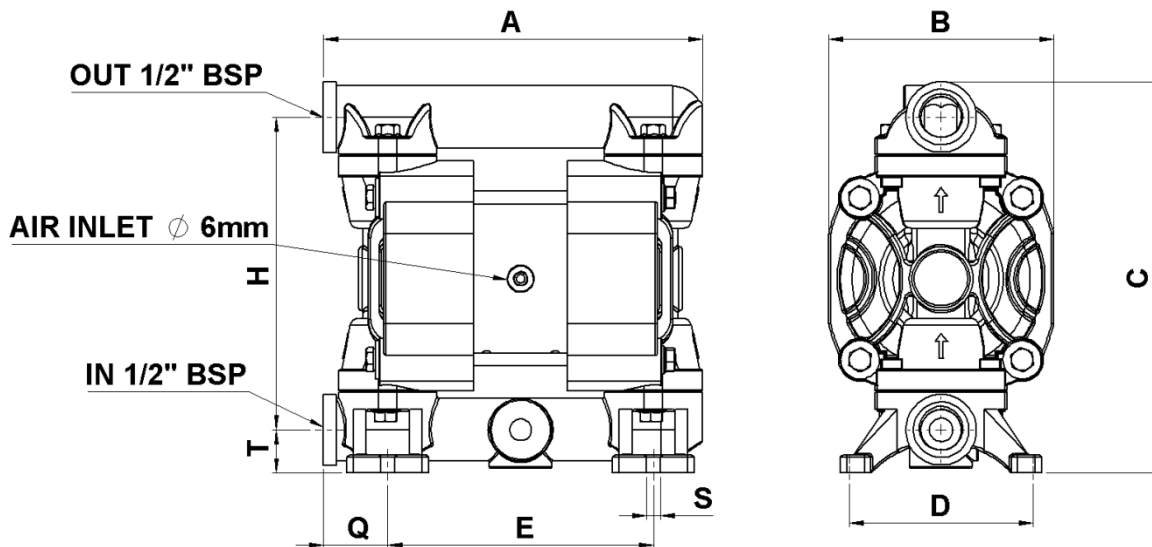
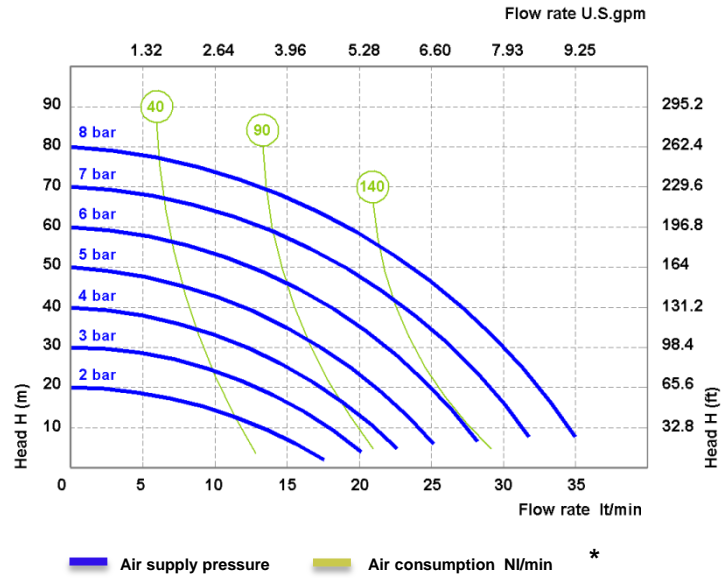
POMc



AISI 316

TECHNICAL DATA P30

- FLUID CONNECTIONS : 1/2" BSP
- AIR CONNECTION : 6 mm
- MAX FLOW RATE : 35 lt/min
- MAX AIR PRESSURE: 8 bar
- MAX DELIVERY HEAD: 80 m
- MAX SUCTION LIFT DRY: 5 m
- MAX SUCTION LIFT WET: 9,8 m
- MAX SOLID PASSING: 3,5 mm
- NOISE LEVEL: 65 dB
- DISPLACEMENT FOR CYCLE: 50 cc
- MAX VISCOSITY : 15.000 cps
- ATEX zone 2 : EX II 3/3 GD c IIB T135°C



PHOENIX P30	A	B	C	D	E	H	Q	S	T	Weight Kg	Max Temperature
PP	177	105	183	86	124	146	30	6,5	20	1,4	65 °C
PVDF+CF	177	105	183	86	124	146	30	6,5	20	1,7	95 °C
POMc	177	105	183	86	124	146	30	6,5	20	1,4	95 °C
AISI 316	182	104	190	70	89	152	52	6,5	23	2,4	95 °C

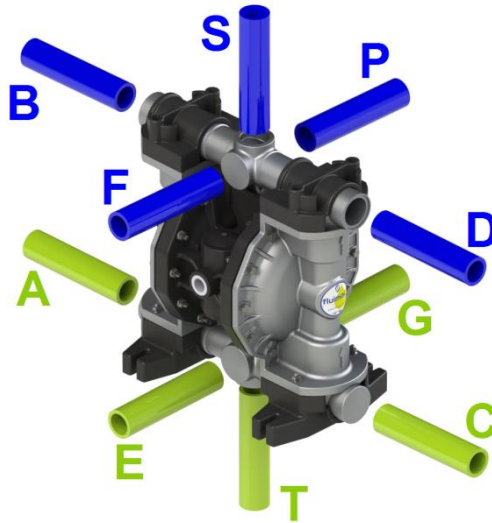
* The curves and performance values refer to pumps with submerged suction and a free delivery outlet with water at 20°C, and vary according to the construction material. Technical data are approximate and not binding for the manufacturer who reserves the right to change them without notice at any time.

COMPOSITION

MODEL	CASING	DIAPHRAGM	BALL	SEATS	GASKET	CONNECTIONS	ATEX	PORTS IN/OUT
P0030	P= PP KC= PVDF+CF O= POMc S=SS	HT=HYTRE+PTFE MT=SANTOPRENE+PTFE H=HYTREL M=SANTOPRENE	T= PTFE S= SS D=EPDM N=NBR	P=PP K=PVDF O=POMc S=SS Z=PE-UHMWE	D=EPDM V=VITON N=NBR T=PTFE	1=BSP 2=FLANGED 5=NPT	- = zone 2	AB=Standard

AVAILABLE CONNECTIONS

Standard = A B
IN = A-E-T-C-G
OUT =B-S-D-F-P



HOW TO READ THE CODE

