

TECHNICAL DATA SHEET PHOENIX P18



PP



PVDF+CF



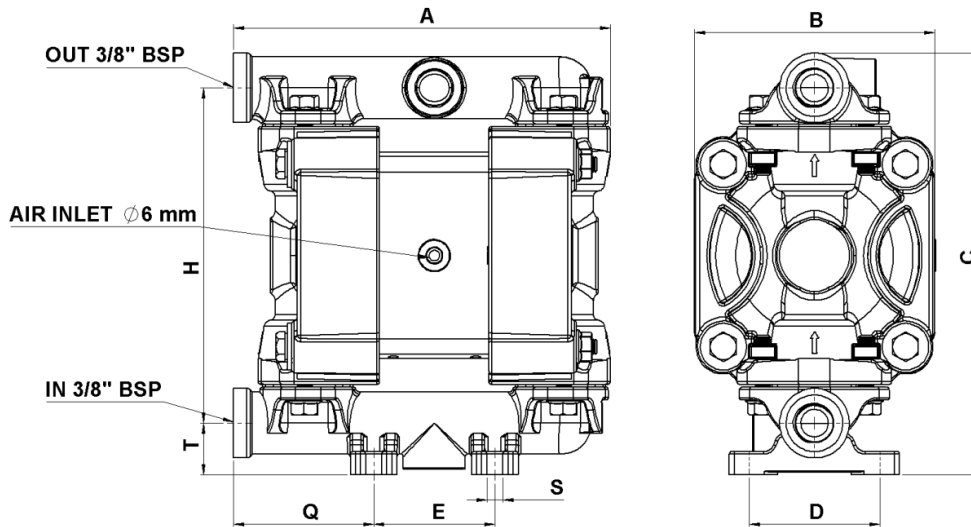
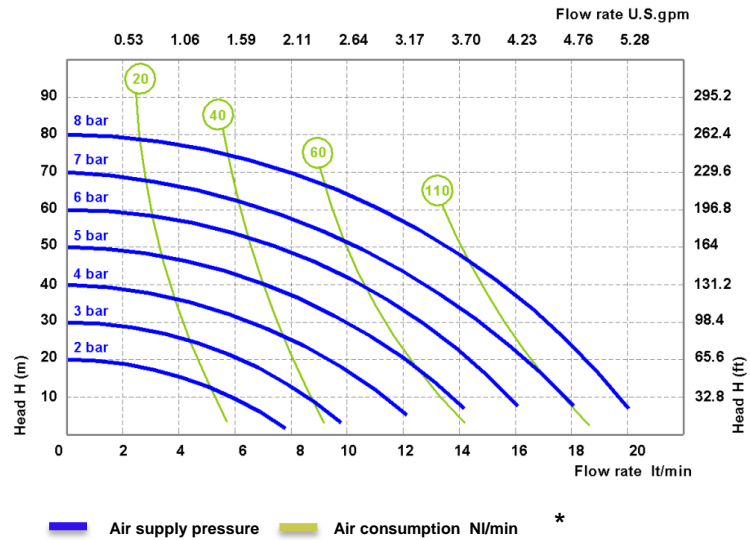
POMc



AISI 316

TECHNICAL DATA P18

- FLUID CONNECTIONS : 3/8" BSP
- AIR CONNNECTION : 6 mm
- MAX FLOW RATE : 20 lt/min
- MAX AIR PRESSURE: 8 bar
- MAX DELIVERY HEAD: 80 m
- MAX SUCTION LIFT DRY: 6 m
- MAX SUCTION LIFT WET: 9,8 m
- MAX SOLID PASSING: 3 mm
- NOISE LEVEL: 65 dB
- DISPLACEMENT FOR CYCLE: 30 cc
- MAX VISCOSITY : 12.000 cps
- ATEX zone 2 : EX II 3/3 GD c IIB T135°C



PHOENIX P18	A	B	C	D	E	H	Q	S	T	Weight Kg	Max Temperature
PP	146	93	164	50	47	130	55	6	20	1,1	65 °C
PVDF+CF	146	93	164	50	47	130	55	6	20	1,4	95 °C
POMc	146	93	164	50	47	130	55	6	20	1,1	95 °C
AISI 316	148	85	153	47	51	122	55	6	18	2,1	95 °C

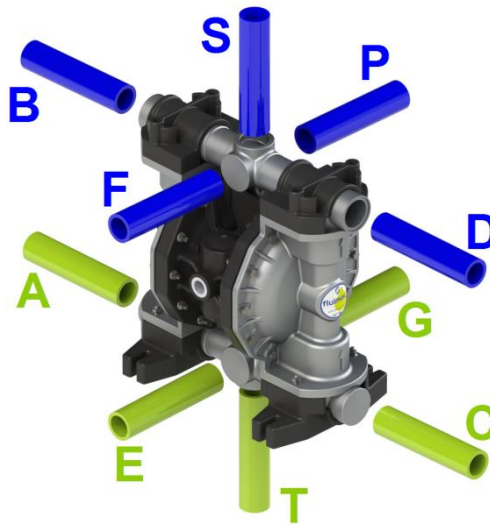
* The curves and performance values refer to pumps with submerged suction and a free delivery outlet with water at 20°C, and vary according to the construction material. Technical data are approximate and not binding for the manufacturer who reserves the right to change them without notice at any time.

COMPOSITION

MODEL	CASING	DIAPHRAGM	BALL	SEATS	GASKET	CONNECTIONS	ATEX	PORTS IN/OUT
P0018	P= PP KC= PVDF+CF O= POMc S=SS	NT=NBR+PTFE	T= PTFE S= SS	P=PP K=PVDF O=POMc S=SS	D=EPDM V=VITON N=NBR T=PTFE	1=BSP 5=NPT	- = zone 2	AB=Standard

AVAILABLE CONNECTIONS

Standard = A B
 IN = A-E-T-C-G
 OUT =B-S-D-F-P



HOW TO READ THE CODE

