

**fluimac**<sup>®</sup>  
pump solution



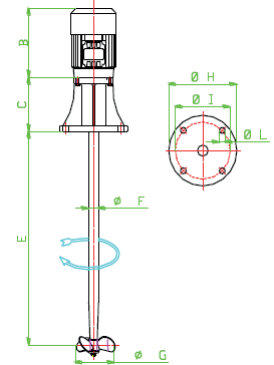
---

**MIXER**  
VERTICAL AGITATORS

Made in  
Italy

[www.fluimac.com](http://www.fluimac.com)

Swift mixer with rigid coupling to 4-6-8 poles motors equipped with a stuffing box and radial bearing and gasket ring. Impeller "MARINE PROPELLER" inclination of 35°. These mixers are particularly suitable for mixing or dissolution of products with low viscosity in little-medium tank. Material Aisi 304-316 supplied with shaft and impeller.



## DIMENSIONS

TYPE	Kw	Rpm	B	C	E**	F	G	H	I	L	KG
SL 018-4/60	0,18	1400	180	120	600	25	100	160	130	4 X 14	15
SL 025-4/80	0,25	1400	200	120	800	25	110	160	130	4 X 14	16
SL 037-4/80	0,37	1400	200	120	800	25	120	160	130	4 X 14	18
SL 055-4/90	0,55	1400	240	165	900	30	140	210	170	4 X 18	22
SL 075-4/100	0,75	1400	240	165	1000	30	150	210	170	4 X 18	24
SL 110-4/120	1,1	1400	260	200	1250	35	160	265	225	8 X 18	28
SL 150-4/150	1,5	1400	280	200	1500	35	170	265	225	8 X 18	30

TYPE	Kw	Rpm	B	C	E**	F	G	H	I	L	KG
SL 018-6/60	0,18	900	200	120	600	25	110	160	130	4 X 14	15
SL 025-6/80	0,25	900	200	120	800	25	130	160	130	4 X 14	16
SL 037-6/80	0,37	900	240	165	800	30	140	210	170	4 X 18	22
SL 055-6/90	0,55	900	240	165	900	30	150	210	170	4 X 18	24
SL 075-6/100	0,75	900	260	165	1000	30	160	210	170	4 X 18	28
SL 110-6/125	1,1	900	280	200	1250	35	170	265	225	8 X 18	30
SL 150-6/150	1,5	900	300	200	1500	35	190	265	225	8 X 18	36

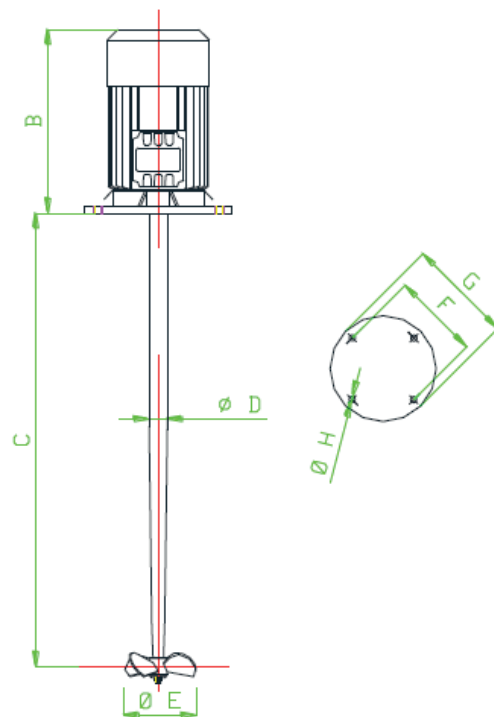
TYPE	Kw	Rpm	B	C	E**	F	G	H	I	L	KG
SL 025-8/80	0,25	700	240	165	800	30	160	210	170	4 X 18	22
SL 037-8/80	0,37	700	260	165	800	30	180	210	170	4 X 18	26
SL 055-8/100	0,55	700	280	165	1000	30	200	210	170	4 X 18	28
SL 075-8/100	0,75	700	280	200	1000	35	220	265	225	8 X 18	30
SL 110-8/120	1,1	700	280	200	1200	35	240	265	225	8 X 18	36
SL 150-8/150	1,5	700	300	300	1500	40	260	320	280	8 X 18	42

## SPECIAL FEATURES

S.S. 316 L  
 Coated (ABCITE pvc Dupont)  
 Coated PP  
 Single phase (Just 4 Poles)

**E\*\* Max Legth for standard Series**

Swift mixers with low power rating Kw 0.37, easy and economic construction, for mixing on little tanks max 1 m<sup>3</sup> for low viscosity fluid.  
 Impeller "MARINE PROPELLER" inclination of 35°. Available in Aisi 304 or PVC coating.



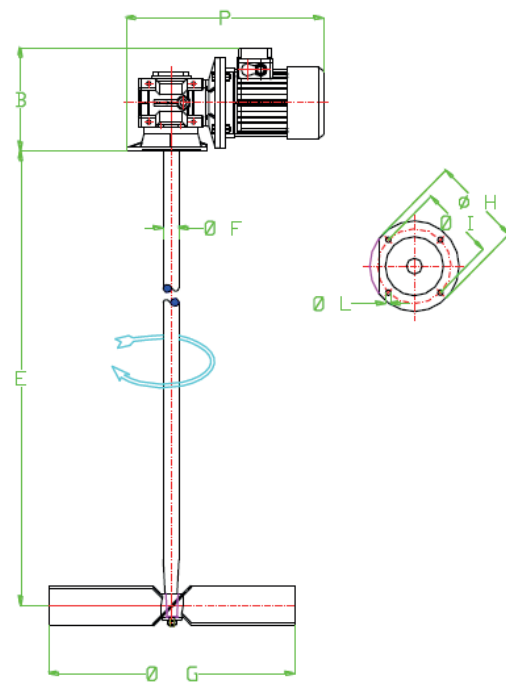
## DIMENSIONS

TYPE	Kw	Rpm	B	C	D	E	F	G	H	KG
AM 018-4-60	0,18	1400	190	600	20	100	115	140	4 X 10	6,5
AM 025-4-60	0,25	1400	220	600	20	110	130	160	4 X 10	7,0
AM 037-4-80	0,37	1400	220	800	20	120	130	160	4 X 10	8,0
AM 018-6-60	0,18	900	220	600	20	110	130	160	4 X 10	7,0
AM 025-6-60	0,25	900	220	600	20	120	130	160	4 X 10	7,5
AM 037-6-80	0,37	900	240	800	20	130	165	200	4 X 12	10,0

## SPECIAL FEATURES

- S.S. 316 L
- Coated ABCITE
- Coated PP
- Single phase (Just 4 Poles)

Slow mixers, used in water treatment, on little-medium tank max 10 m<sup>3</sup> of capacity. Impeller with 4 inclined blades. The shaft of the mixer is directly key coupled with the hollow shaft of worm gearbox. Available in Aisi 304-316 or PVC coating



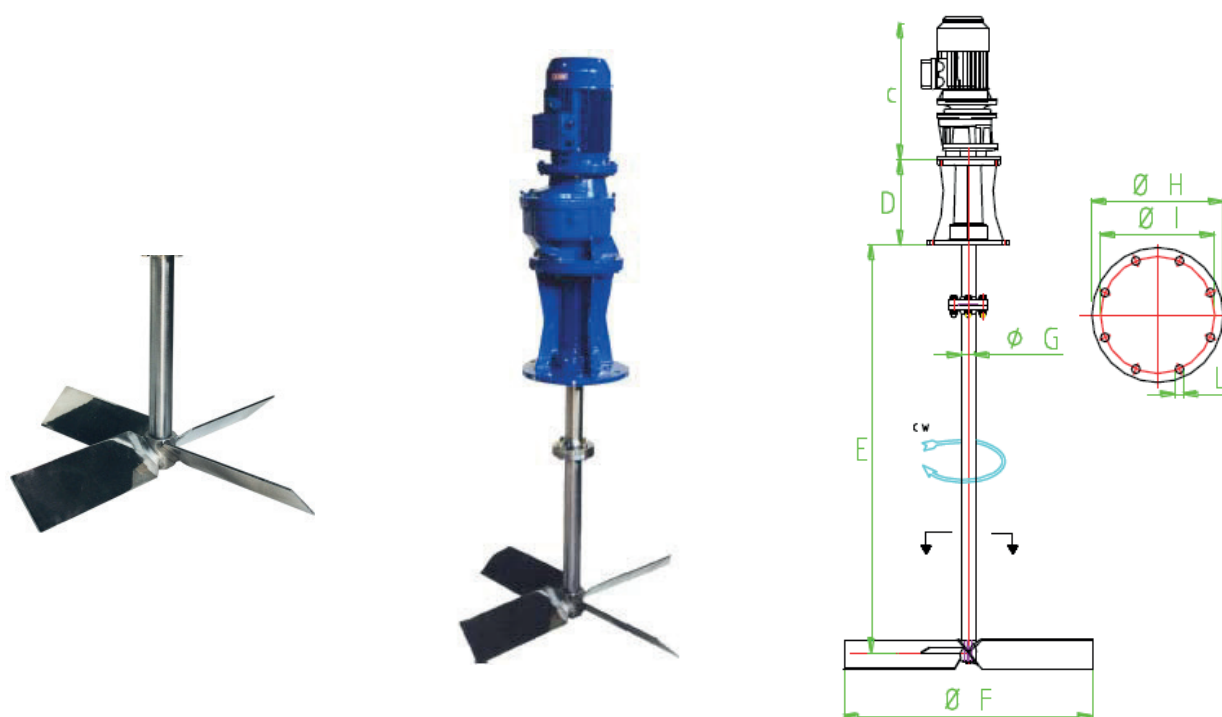
## DIMENSIONS

TYPE	Kw	Rpm	B	E	F	G	H	I	L	P	KG
MR 018-4-140	0,18	140	140	700	25	200	140	115	4 X 9	320	17
MR 025-4-90	0,25	90	180	800	30	300	160	130	4 X 10	360	22
MR 037-4-90	0,37	90	180	1000	30	350	160	130	4 X 10	360	24
MR 055-4-90	0,55	90	220	1200	35	400	200	165	4 X 12	420	35
MR 075-4-90	0,75	90	220	1500	35	500	200	165	4 X 12	420	37
MR 110-4-90	1,1	90	250	1500	35	550	200	165	4 X 12	500	40
MR 150-4-70	1,5	70	250	1500	40	700	200	165	4 X 12	520	60

## SPECIAL FEATURES

- S.S. 316 L
- Coated ABCITE (PVC Du Pont)
- Coated PP
- Single phase motor

Slow mixers fitted with gear-box coupled to the shaft power. Shaft available in Aisi 304-316 or sheathed rubber. Impellers: Turbine type or special profile. These agitators are particularly suitable for mixing of solution with middle density-viscosity. Used on water treatment and chemical plants on medium-large tanks.



## DIMENSIONS

TYPE	Kw	Rpm	C	D	E**	F	G	H	I	L	KG
RLV 037-4-210/80	0,37	210	340	120	800	300	25	160	130	4 X14	24
RLV 055-4-140/100	0,55	140	380	160	1000	400	30	210	170	4 X18	35
RLV 075-4-90/100	0,75	90	430	200	1500	500	35	265	225	8 X18	48
RLV 110-4-90/150	1,1	90	540	200	1500	550	35	265	225	8 X18	52
RLV 150-4-90/150	1,5	90	540	200	1500	600	35	265	225	8 X18	60
RLV 150-4-90/200	1,5	90	580	200	2000	650	40	265	225	8 X18	75
RLV 220-4-90/200	2,2	90	620	300	2000	750	45	320	280	8 X18	90
RLV 220-4-70/250	2,2	70	620	300	2500	800	50	320	280	8 X18	120
RLV 300-4-56/300	3,0	56	720	400	3000	1000	60	395	350	8 X22	190

## SPECIAL FEATURES

S.S. 316 L  
Coated ABCITE  
Shaft joint

**E\*\* Max Length for standard Series**

# fluimac<sup>®</sup>

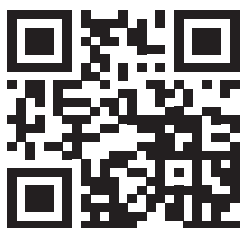
pump solution



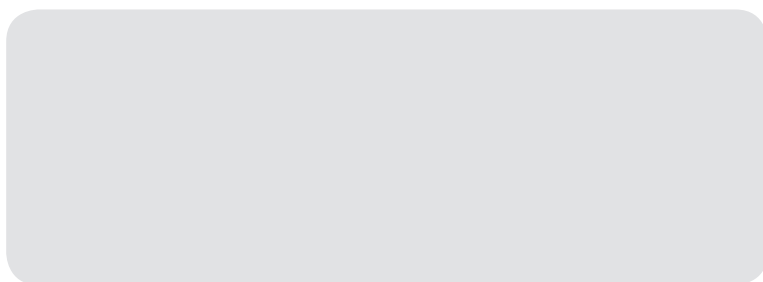
**FLUIMAC S.r.l.**

Via Ticino 2 / 4  
21043, Castiglione Olona (VA) - Italy  
Tel.:+39 0331 866688  
Fax:+39 0331 864870

[www.fluimac.com](http://www.fluimac.com)  
[info@fluimac.com](mailto:info@fluimac.com)



**AUTHORIZED PARTNER:**



*Made in Italy*

