

P 700



PVDF+CF



TECHNICAL DATA

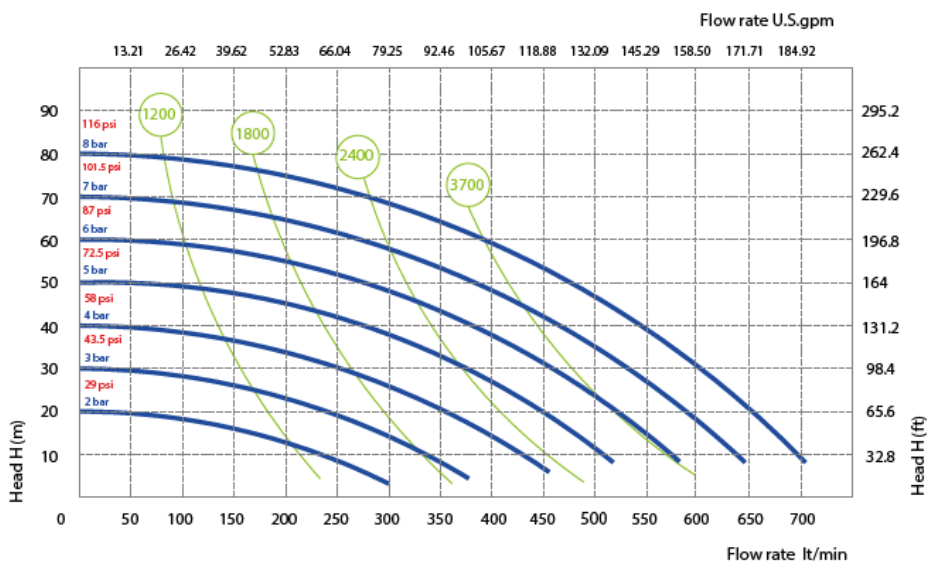
Fluid connections	2" BSP - DN 50
Air connection	3/4" BSP
Max. Flow rate	700 lt/min
Max air pressure	8 bar
Max delivery head	80 m
Max Suction Lift Dry	5 m
Max Suction Lift Wet	9,8 m
Max Solid passing	8,5 mm
Noise level:	78 dB
Max Viscosity:	50.000 cps
Displacement per Stroke:	3050 CC ~

Ex II 2/2 GD c IIB T 135°C

Displacement per stroke may vary based on suction condition, discharge head, air pressure and fluid type.

WEIGHT	TEMPERATURE	
44 KG	-20°C	+95°C

PERFORMANCE



- Air supply pressure
- Air consumption Nit/min

The curves and performance values refer to pumps with submerged suction and free delivery outlet, with water at 20°C. These data may vary according to the construction materials and hydraulic conditions.



FLUIMAC S.r.l. - Via Ticino 2/4 - 21043 - Castiglione Olona - VA - ITALY
 info@fluimac.com - www.fluimac.com
 tel. +39 0331 866688 - Fax +39 0331 864870
 P.I./VAT 03259160129

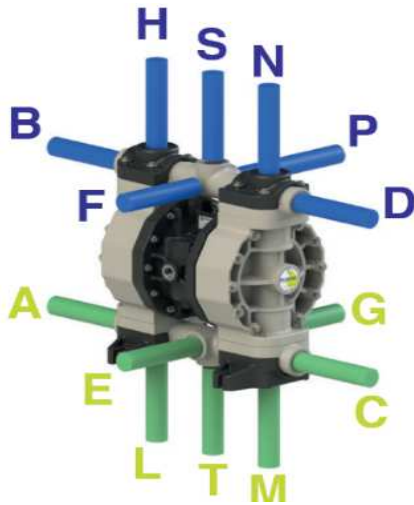


P 700



COMPOSITION

MODEL	CASING	DIAPHRAGM	BALLS	SEATS	GASKET	CONNECTIONS	ATEX	PORTS
P0700	KC = PVDF+CF	HT = HYTREL+PTFE MT = SANTOPRENE+PTFE H = HYTREL M = SANTOPRENE D = EPDM N = NBR	T = PTFE S = SS D = EPDM N = NBR	K = PVDF S = SS	D = EPDM V = VITON N = NBR T = PTFE	1 = BSP 2 = FLANGED 5 = NPT	X = ZONE I	AB = STANDARD



AVAILABLE CONNECTIONS

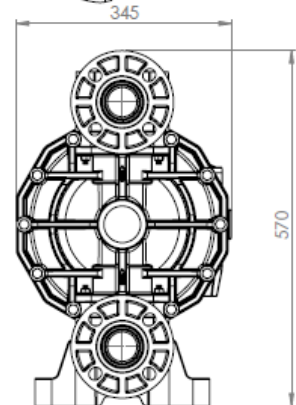
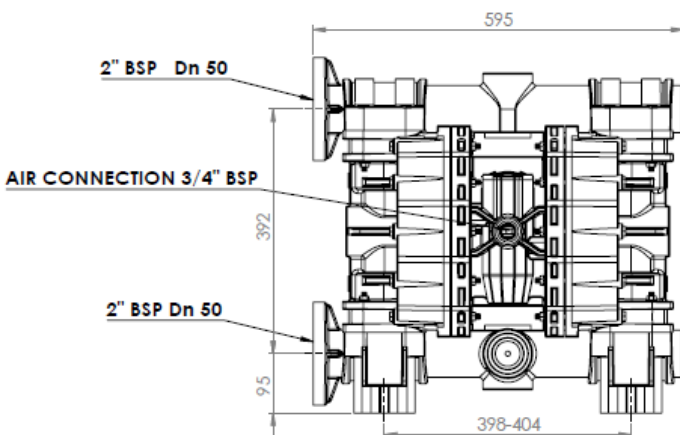
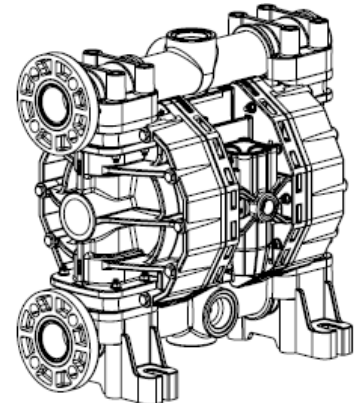
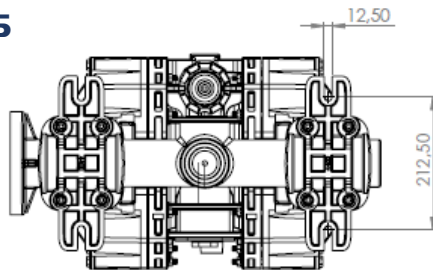
DELIVERY: B-D-F-P-S

SUCTION: A-C-E-G-T

PACKING DIMENSION

CARTON BOX: 66 x 40 x 63 cm

DIMENSIONS



Technical data are approximate and not binding for the manufacturer who reserves the right to change them without notice at any time.



FLUIMAC S.r.l. - Via Ticino 2/4 - 21043 - Castiglione Olona - VA - ITALY
info@fluimac.com - www.fluimac.com
 tel. +39 0331 866688 - Fax +39 0331 864870
 P.I./VAT 03259160129

